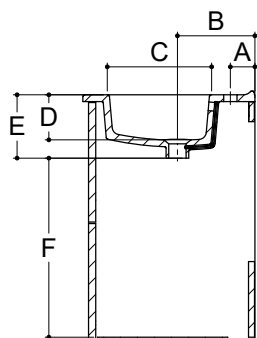
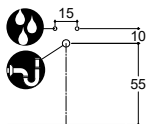


MIDO⁺
CLASSIC



INSTALLATION GUIDE



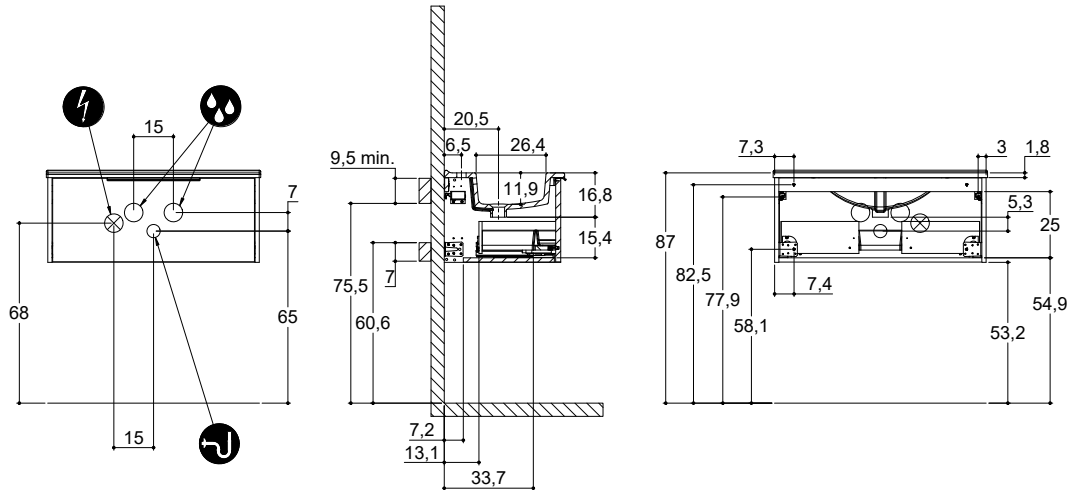
		A	B	C	D	E	F
AMBER	1 DRAWER	6,5 cm	20,5 cm	26,5 cm	11,8 cm	15 cm	15,4 cm
AMBER	1 DRAWER AND OPEN SHELF	6,5 cm	20,5 cm	26,5 cm	11,8 cm	15 cm	47,4 cm
AMBER	2 DRAWERS	6,5 cm	20,5 cm	26,5 cm	11,8 cm	15 cm	47,4 cm

INSTALLATION GUIDE

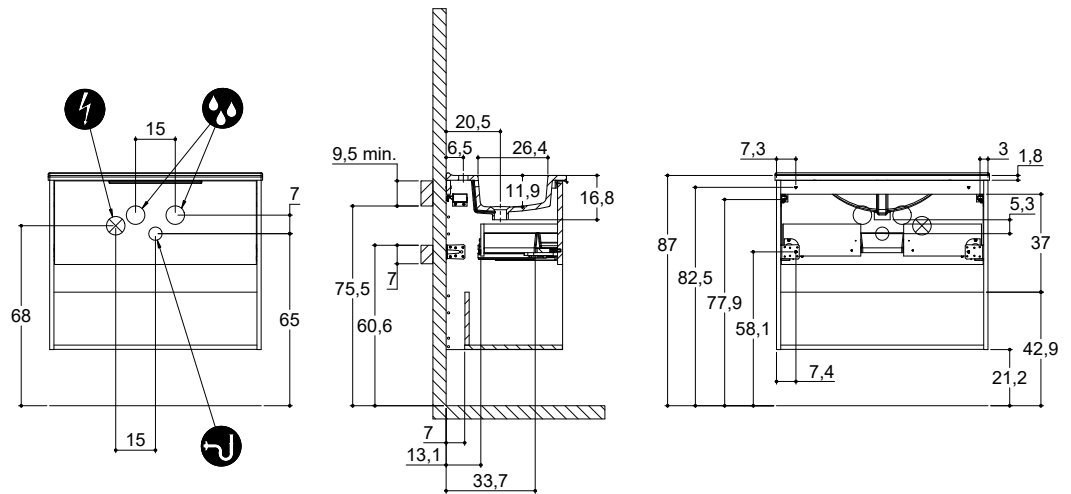
For more information on installation and first-fix measurements check our website under each product.

DEPTH 45 CM

HEIGHT 32 CM
1 DRAWER



HEIGHT 32 CM
1 DRAWER AND
OPEN SHELF



HEIGHT 64 CM
2 DRAWERS

