

Arch Bathroom

Installation

Lead-free basin faucet Arch Bathroom from Toniton x Tapwell 1-grip

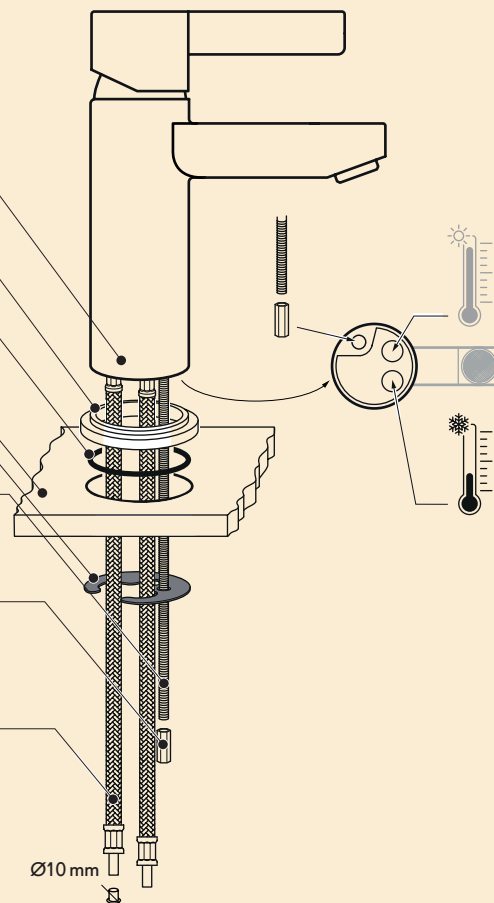
Edition
MTS3-2019 02 13

The description concerns Toniton x Tapwell's wash basin mixer Arch Bathroom. The mixer meet the requirements regarding backflow according to SS-EN 1717. Intended for a maximum operating pressure of 10 bar, a maximum water temperature of +60°C and can be pressure tested up to 16 bar.

1

List and explanation of details in picture 1 and instructions for mounting.

- 1 Faucet housing
- 2 Spacer
- 3 Rubber O-ring for sealing between spacer (2) and washbasin or worktop (4). The ring should be placed in the groove under the spacer.
- 4 Wash basin or worktop. The hole for the mixer must be min. 35 mm and max. 40 mm
- 5 Plate for stabilization and sealing with recesses for the flexible pipes (8) and with holes for the threaded rod.
- 6 Threaded rod that is screwed into the mixer according to the image.
- 7 Nuts for tighten the mixer against the wash basin. Tighten crosswise until a stable installation is secured.
- 8 Flexible pipe for connection to the property's water supply system. Blue marked pipe for cold water, red marked for hot water. The pipes are tightened anti-clockwise all the way to stop by hand and without lubricant.



Check that the pipe connections to the mixer are not loosened when tightening the couplings on the connecting pipes.

Arch Bathroom

Installation

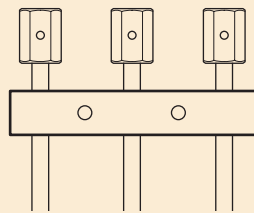
Lead-free basin faucet Arch Bathroom from Toniton x Tapwell 1-grip

Edition
MTS3-2019 02 13

The description concerns Toniton x Tapwell's wash basin mixer Arch Bathroom. The mixer meet the requirements regarding backflow according to SS-EN 1717. Intended for a maximum operating pressure of 10 bar, a maximum water temperature of +60°C and can be pressure tested up to 16 bar.

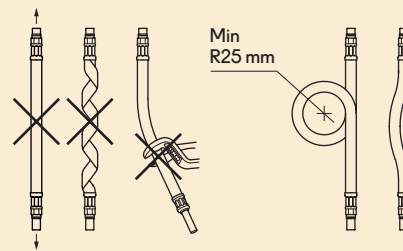
2

Clamping
Clamping of the connecting pipelines must be done as close to the splice connections as possible.



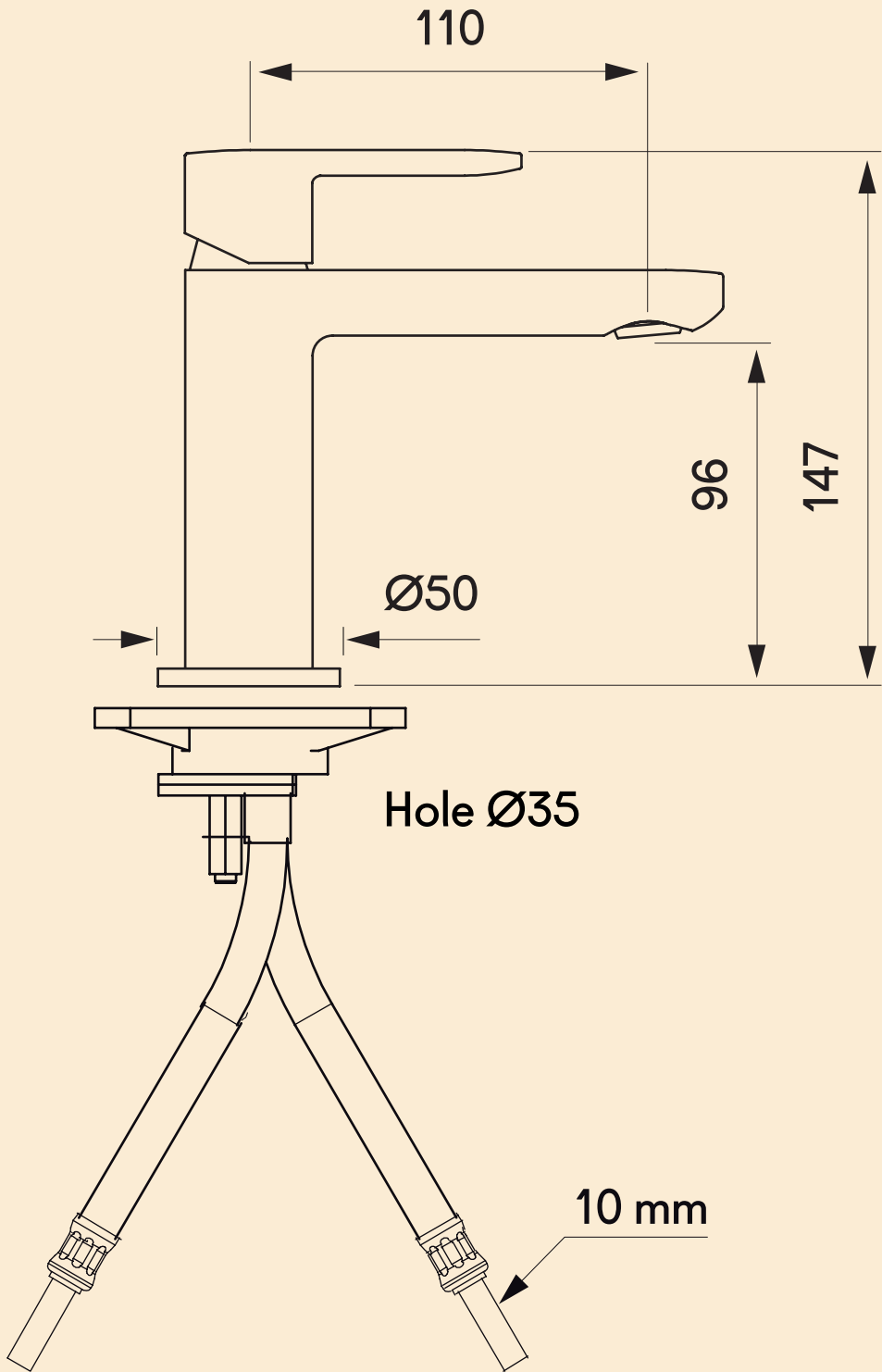
3

Mounting of the flexible pipes



4

Leakage test after the mixer installation in existing assemblies must be performed at the system's operating pressure. Pressure and leakage testing in new builds must be performed according to the instructions in the object's technical description. Testing must be documented.



Arch Bathroom

Care and Maintenance

- Wipe with a clean cloth wrung in water or in a solution of water and a neutral detergent. Remove soap residue immediately using a clean, dry cloth.
- Avoid using scouring cream or scouring pads, as they may scratch the surface.
- Do not use solvents as they may have an adverse effect on the coating.
- Never use acetic acid or citric acid.